



KIT PART NUMBER 1475088
KIT PART NUMBER 3152480
KIT PART NUMBER 4255252
KIT PART NUMBER 4305086

INSTRUCTIONS FOR INSTALLING A CREDIT DISPLAY PCB REPLACEMENT ASSEMBLY

CHECK THE PARTS RECEIVED IN THE KIT WITH THE PARTS LIST IN THESE INSTRUCTIONS. IF ANY PARTS ARE MISSING, CONTACT THE NATIONAL VENDORS PARTS DEPARTMENT IMMEDIATELY.

Read these instructions carefully before installing the kit.
Keep these instructions for part numbers and for future reference.

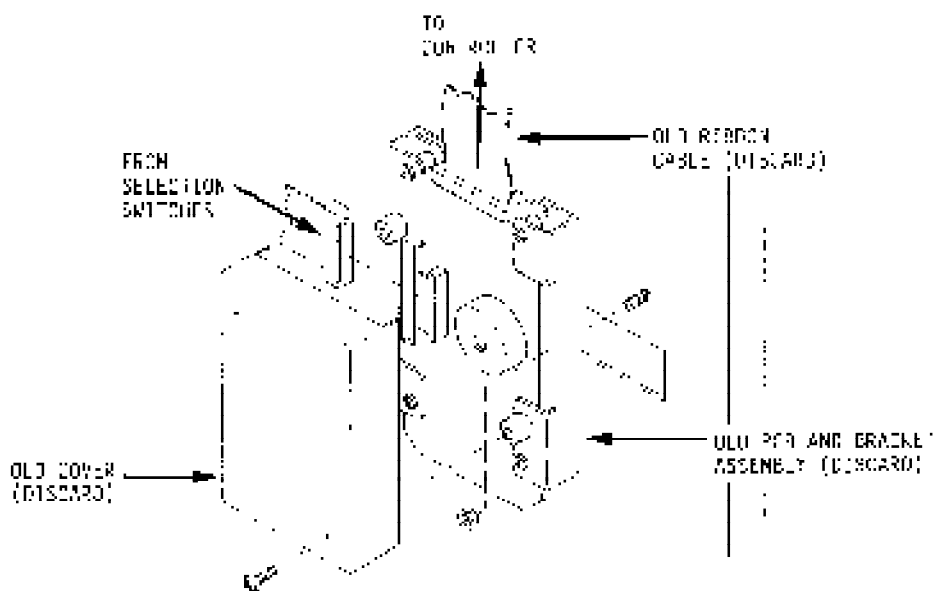
These kits contains the following:

PART NUMBER	DESCRIPTION	QUANTITY REQUIRED PER KIT			
		1475088	3152480	4255252	4305086
1472261	Ribbon Cable Assembly	1	-	-	-
1475085	Cover, Display PCB	1	-	-	-
3128092	Screw #7-19 x 3/8 Hex	1	-	-	2
3152565	Ribbon Cable Assembly	-	1	-	-
9900204	Screw #8-32 x 5/8 S/T	-	2	-	-
4255269	Ribbon Cable Assembly	-	-	1	-
4305080	Ribbon Cable Assembly	-	-	-	1
4305081	Cover, Display PCB	-	-	-	1
1475099	Bracket, Display PCB	1	1	1	1
9989538	Display PCB Assembly	1	1	1	1
2226380	Screw #6-19 x .38, PHS, T/C	1	1	1	1
1475087	Instructions	1	1	1	1

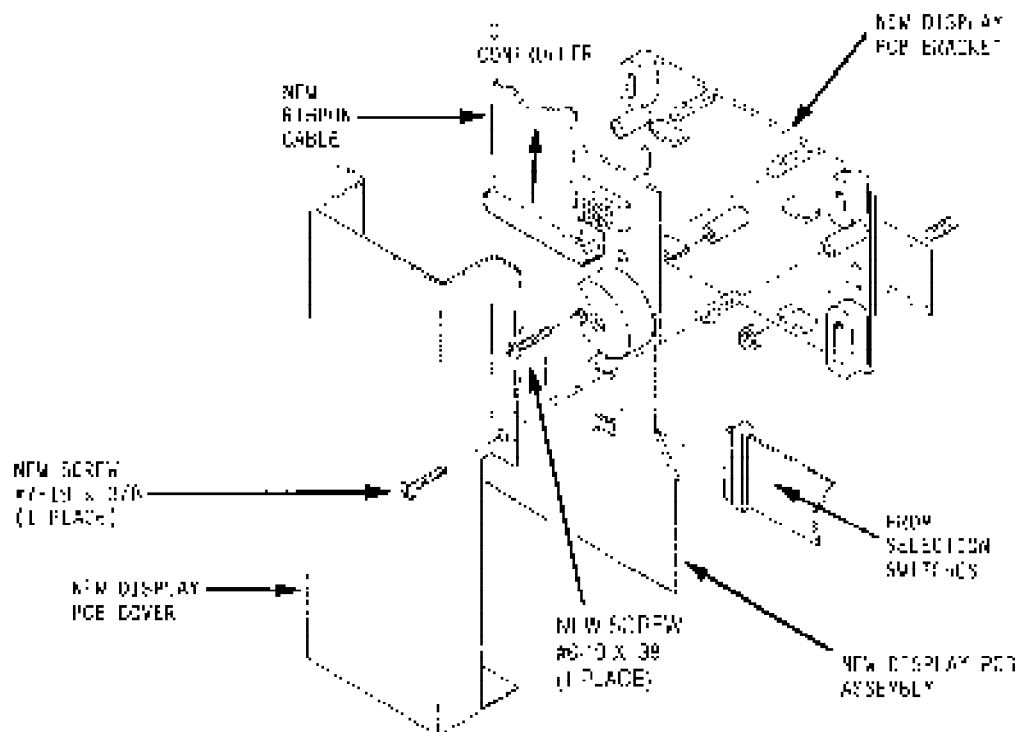


FIELD REPLACEMENT OF DISPLAY PCB ASSEMBLY 1452073

REMOVING OLD COMPONENTS



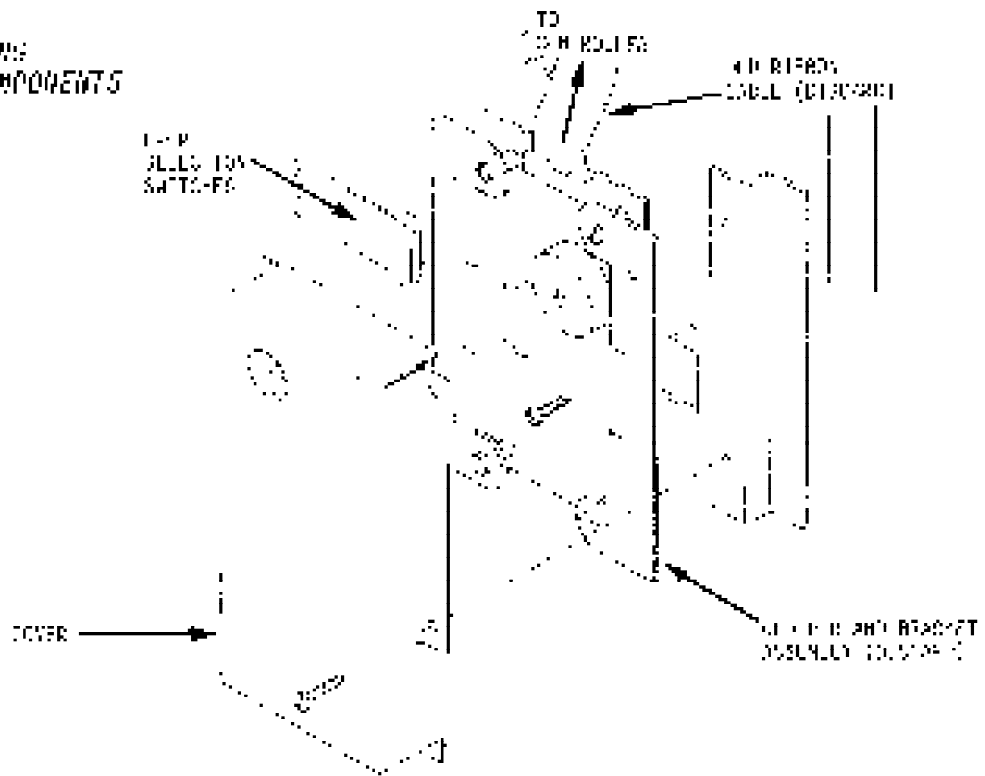
INSTALLING NEW COMPONENTS



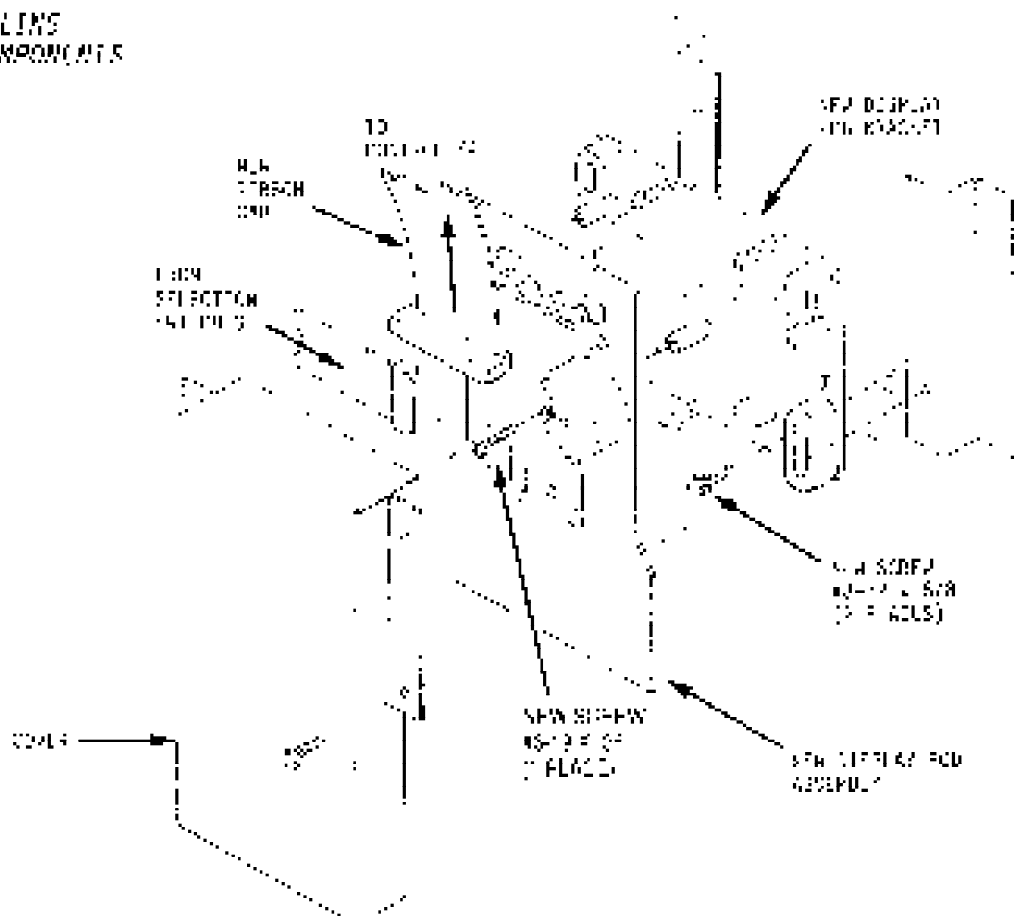


FIELD REPLACEMENT OF DISPLAY PCB ASSEMBLY 3152058

REMOVING OLD COMPONENTS



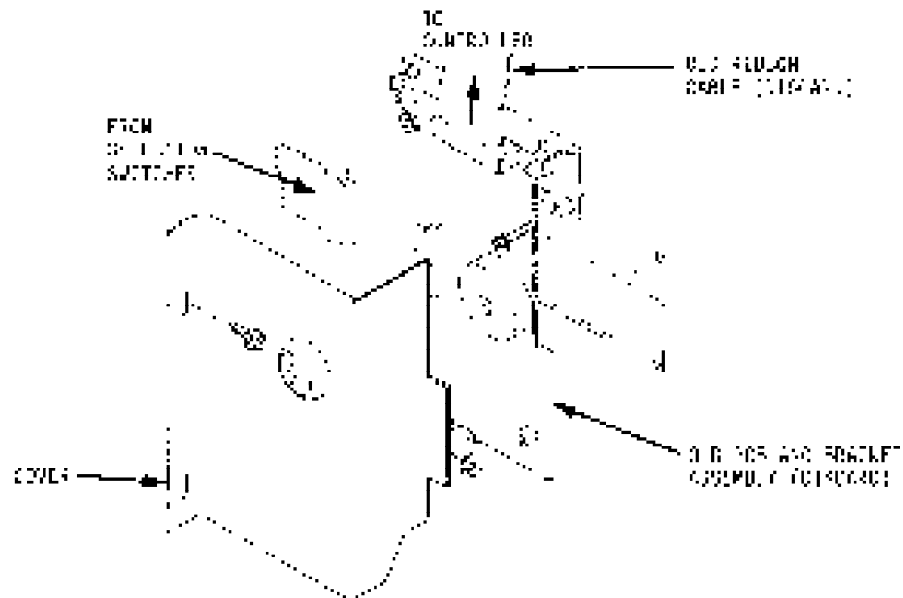
INSTALLING NEW COMPONENTS





FIELD REPLACEMENT OF DISPLAY PCB ASSEMBLY 4255037

REMOVING OLD COMPONENTS



INSTALLING NEW COMPONENTS

